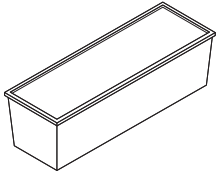
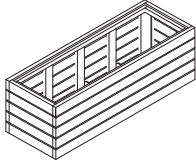


ASSEMBLY INSTRUCTION



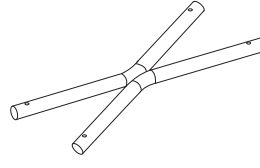
① = 1 pc



② = 1 pc



③ = 4 pcs



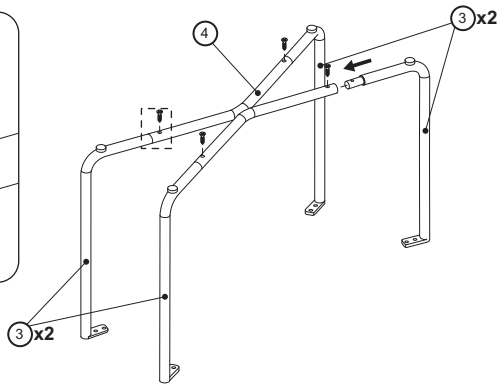
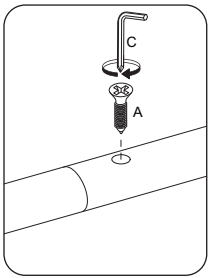
④ = 1 pc

A × 4  M3.5×12 mm

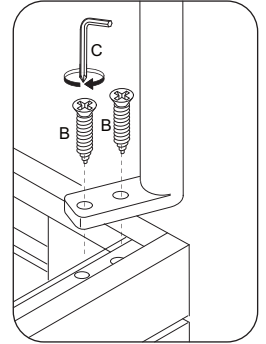
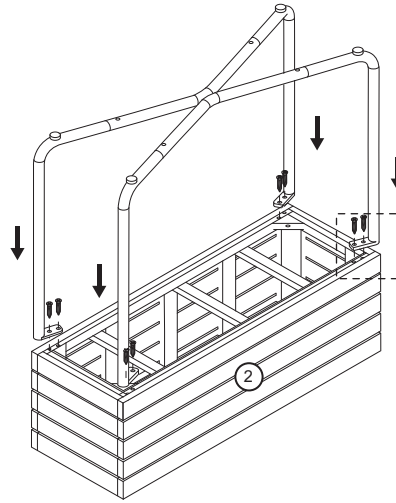
B × 8  M4×20 mm

C × 1  M4 mm

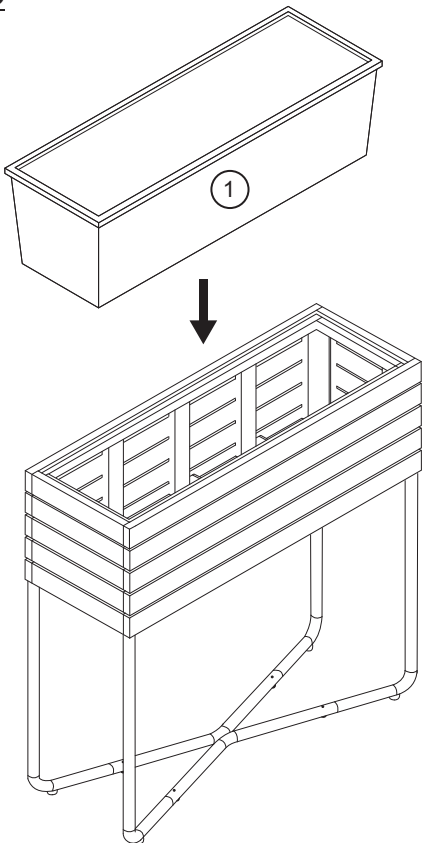
Step 1



Step 2



Step 3



Finished

